

GLOBAL

**COMPACT PRESS
HP-450C/CS**

INSTRUCTION MANUAL

SPECIFICATIONS

MODEL		HP-450C/CS
POWER SUPPLY		1P-220V
RATED OUTPUT	HEATER	4 . 5 KW
	MOTOR	4 0 W
TEMPERATURE A(MAX)		2 0 0 °C
PRESSURE (MAX)		1 . 5 KG/cm
BELT SPEED		8 . 7 m / min.
HEATING TIME		5 - 2 0 sec.
FUSING WIDTH		4 5 0 mm
DEMENTIONS	W	1 6 6 0 mm
	D	8 8 0 mm
	H	4 9 0 mm
WEIGHT		1 5 2 k g

Attention to be paid at the time of installation

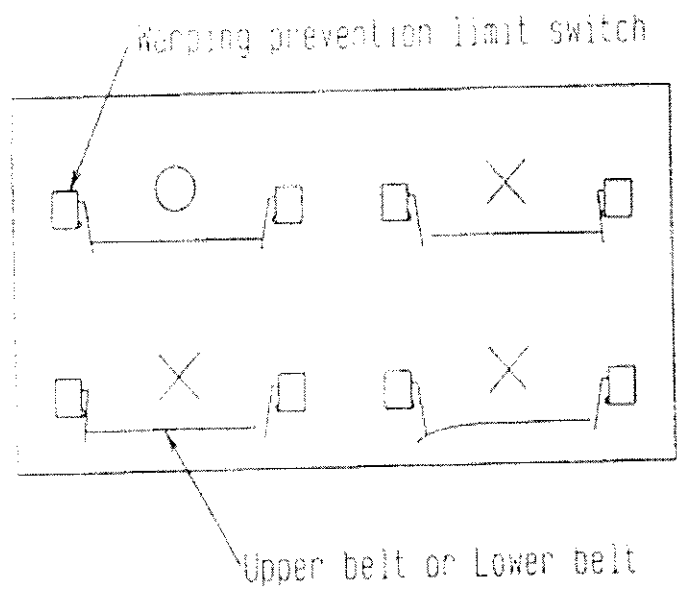
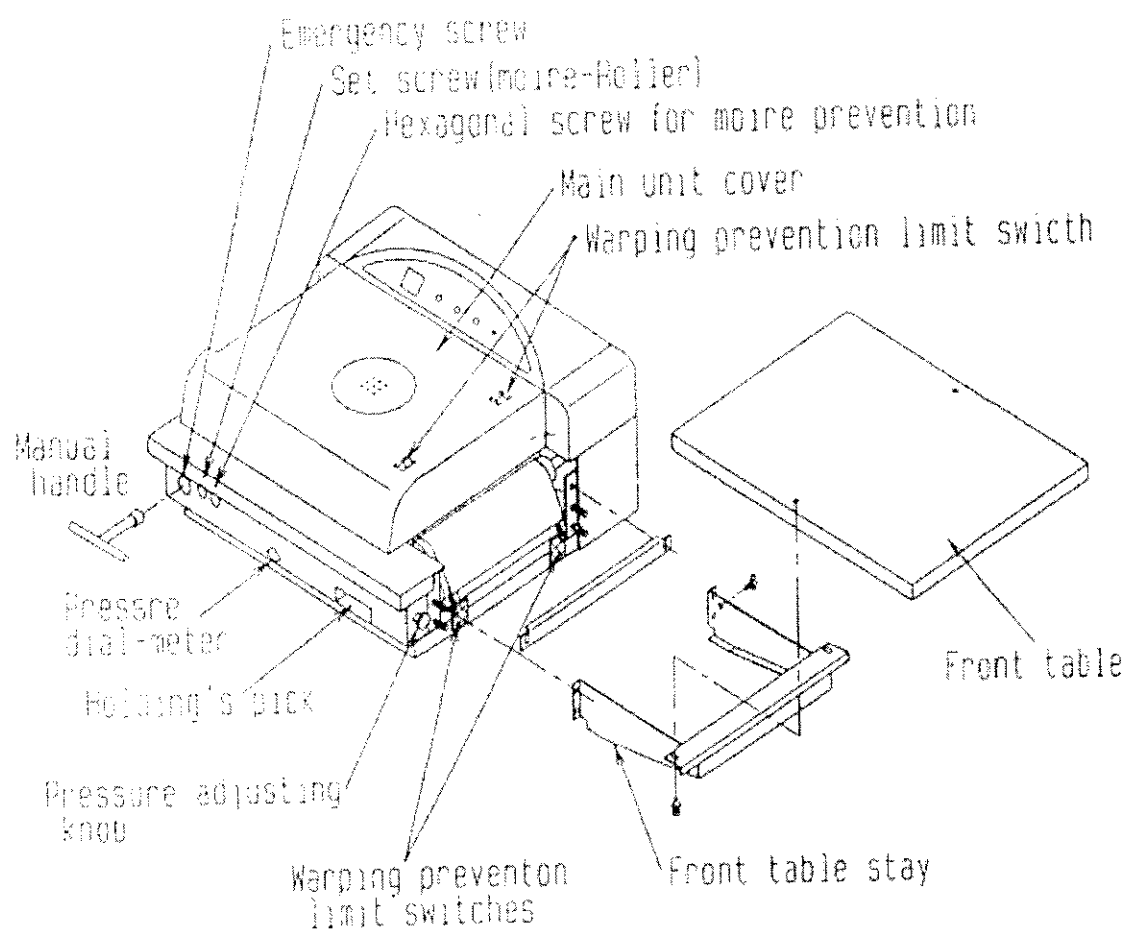
1. Install this machine, which weights 152kg, in regard to the 450C/CS respectively, on the robust foundation horizontally.
2. Don't install this machine near the object easy to burn, as it generates high temperature when it has been put into use. Exclude, in addition, dusts and others stuck onto this machine periodically.
3. Connect the machine to an exclusive power source corresponding with the ratio consumption power by referring to the specifications.
4. Don't fail to the ground .By the way ,it has no relations to the rotary direction of the belt.
5. In the case where you change the power source plug or lengthen construction shop near by.
6. When the machine has been brought in or when it has been transferred, don't fail to remove the main unit's cover, before ensuring that the upper and lower belt warping prevention limit switches place correctly the belt between them from both sides. (Refer to next page.)

Attention to be paid at the time of using

1. Don't fail to read the User's Manual prior to the usage.
2. Don't fail to remove the main unit's cover and ensure that the upper and lower

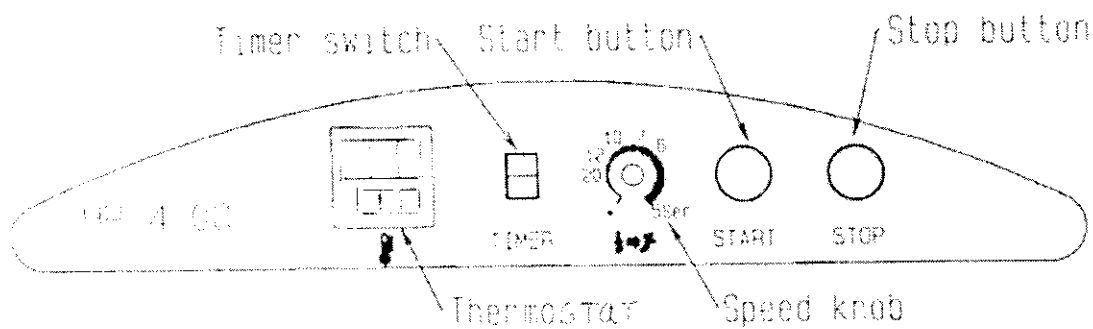
warp prevention limit switches place correctly the belt between them from both sides, before connecting the power source. (Refer to next page.)

3. Wipe off dusts using a dry floor mat, before inserting the material.
4. Pay sufficient attention not to make contact with the belt and the upper cover whose temperature rises high nor mount things on them.
5. Don't absolutely put your hands on to the roller inside the machine beyond the necessity at the time you insert the material for fear that they might be caught in.
6. Don't put any things to the main unit of the press except the materials to be inserted.
7. Disconnect the power source breaker immediately and insert the manual handle (an accessory) to the emergency screw, then, turn it to the arrow marked direction in order to remove the unusual things before the operation, if they have been inserted.
8. When the material, has twined rounded the strip off device at the exit of the material, don't fail to disconnect the power source breaker, before removing it.
9. Don't fail to pull the power source plug off when you inspect the inside.
10. This machine is an exclusive use for fusing and folding the clothes. Don't put it to use for other purposes, otherwise resulting in troubles.
11. After the operation ensure that the machine has stopped completely, before disconnecting the power source breaker without fail.



Procedure of usage

1. Set the power source to 'ON'.(Ensure the 'off' condition of the timer switch.)
2. Press the start button. The lamp will light up and the machine will start moving.
3. Set pressure to the designated by using the pressure adjust knob.
4. Set the fusing time by using the speed controller .Use it within the limit between 5 and 20 seconds for the warp prevention.
5. Set the setting temperature by using the thermostat .It takes about 15 minutes before you'll get the usable thermo-lamp will start blinking.
6. Here, you are able to start the operation.

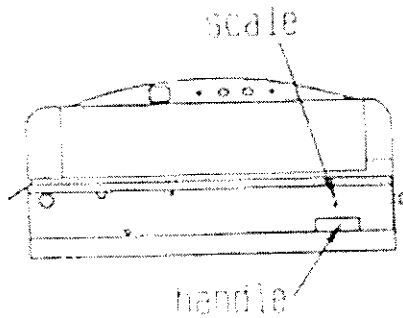


At the time the operation is over.

1. Set the pressure to 0(zero).
2. Set the timer switch to 'ON'. The machine stop automatically and the surface temperature of the belt is below 100 degrees.
3. When the machine has stopped , set the power source breaker to 'OFF'.

The holding's adjustment

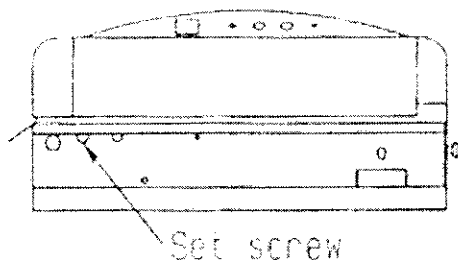
In the case where you want to strengthen the holding at the injecting entrance of the machine when you've put the inside belt scale, pocket folding and others to use, turn the holding's handle to the right. Set the holding's adjustment to 0(zero),when you try to fuse the interlining.



How to prevent and adjust roller moiré (puckering)

In the case where roller moiré has taken place on the fused material, fuse it by lowering heat and pressure as low as possible. Even when the prevention is impossible in spite of the efforts, adjustments to be shown below will be necessary.

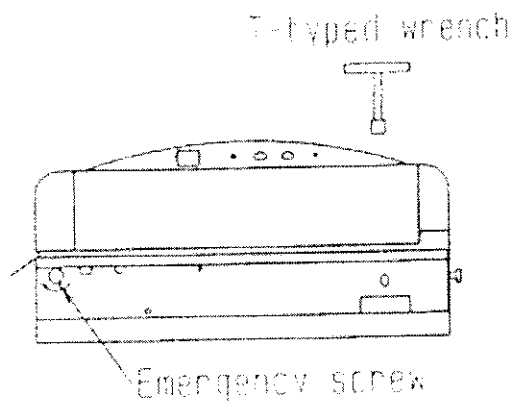
1. Remove the main unit's cover.
2. Remove the rear cover.
3. You'll find a screw for securing the moiré adjust roller on the side of the machine . And you will find an other when you open the rear cover of the machine loosen both of the stop screws and rise right and left equally.
4. The moiré is hard to appear when you bring up the roller.
5. Tighten both of the stop screws.



How to move the machine by hand at the emergency

Press the stop switch in order to stop the machine before setting the pressure to 0 (zero), when you've put other things to the belt's injecting entrance by mistake. Put the T-typed wrench (an accessory) on to the screw for emergency on the side of the main unit and turn it to the arrow marked direction, before you will unload the finished material. In the case where a hard thing has been put in the machine, ensure the safety before resuming the operation for fear that the teflon belt and rubber parts of the pressure roller might be damaged. And in the case of an

electric failure, put the T-typed wrench (an accessory) on to the screw for emergency use on the side of the main unit and turn it to the arrow marked direction. before you'll unload the finished material



Daily maintenance <<Pay attention to fear such accidents as burn and caught -in.>>

Cleaning belts

Clean the belt while it is hot. Use the Global New Ace or the New Clean Spray to clean the belt. In the case where you put the latter to use . pay attention not to spray such electric parts as the warp prevention limit switch and others, resulting in troubles. Moreover, don't use the powders New Cleaning except when dirt is remarkable. Wipe with sure the powders which have a character to be hardened when it is cool. Apply the Global New Ace onto the belt for the prevention of dirt.

Cleaning the cleaner

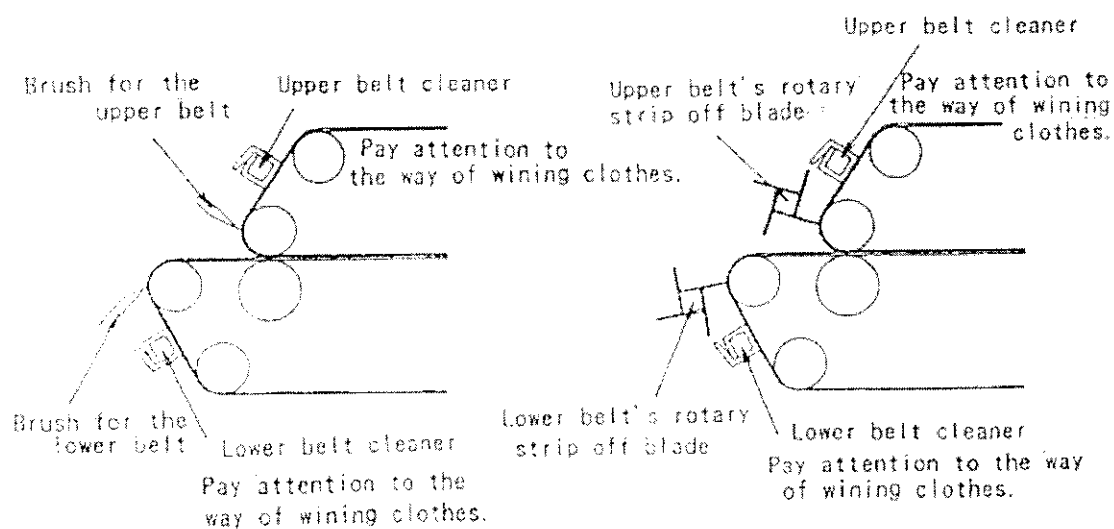
The cleaner is provided at the rear part of the machine. At the start of the cleaning, don't fail to pay attention so that the clean surface could make contact with to belt. And observe it about twice a day to change the dirty surface if necessary. The cleaner is to be removed when you push it to the manipulation panel's side. When you wind a new cloth, make it coincide with the rotary direction of the belt and, then ,wind it ,not being caught in.

Cleaning the brush scraper.(C)

The brush, too, is provided at the rear part of the main unit of the machine. Raise the scraper three or four times a day in order to clean.

Cleaning the rotary strip off blade (CS)

Pick the blade, using a piece of the cloth and move it left to right and right to left in order to take the fusing resin resin and others away. Here, if the blade remains lying, raise it before cleaning it.



ATTENTION TO BE PAID MAINTANANCE OF FUSING MACHINE

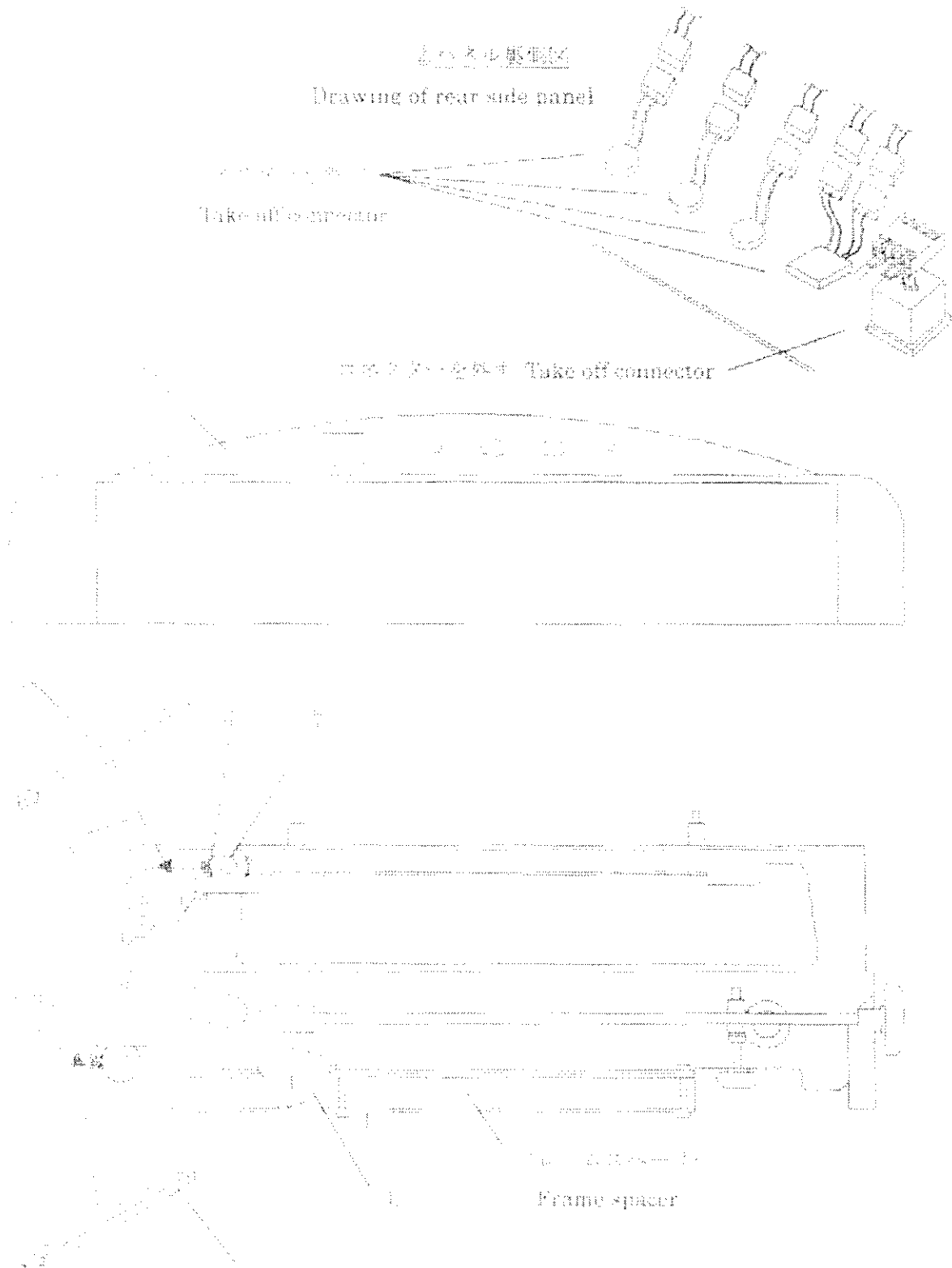
Put-off electric sources, fill "grease" inside rollers every two weeks

You should use GLOBAL genuine grease and never use grease which contains MOLYBDENUM (LACK OF THIS GIVES DAMAGES TO BEARINGS)

1. TAKE OUT MAIN COVER A.
2. FULL GREASE INTO THE PLACE OF ARROW MARKS.

上ベルト交換方法

HOW TO EXCHANGE UPPER BELT



次頁参照

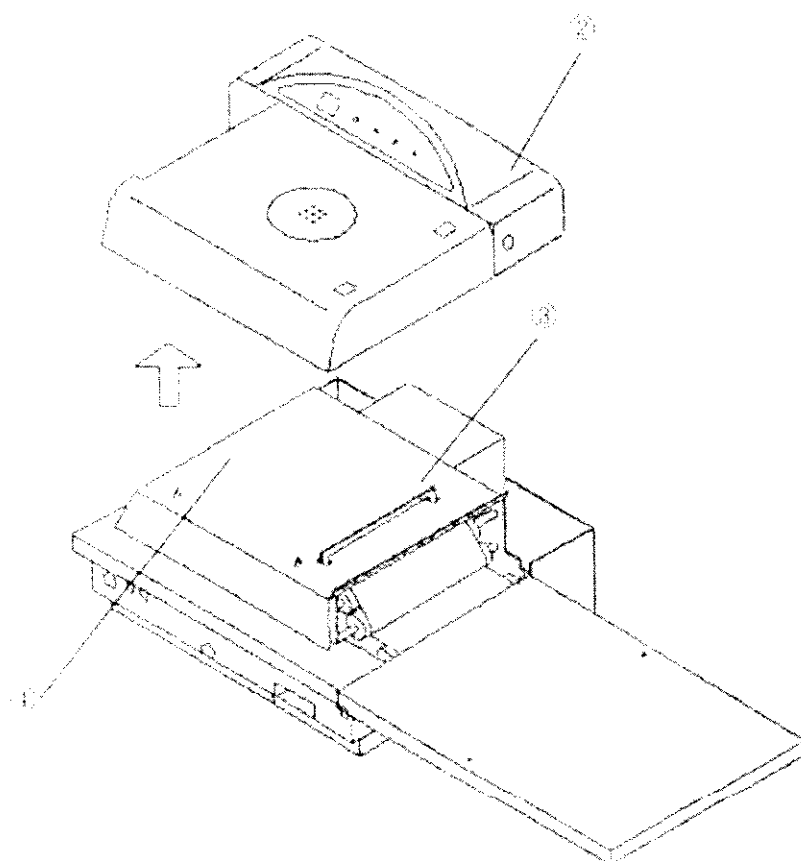
Refer next page

1. 電源ブレーカーを切り、圧力調整ツマミで圧力を - 1 にし、くわえ込み調整を 0 にしてください。

Disconnect the power source from its origin and set the pressure -1, and pull-in adjuster set to 0.

2. 本体カバー (A) を持ち上げて外してください。本体カバー (パネル側) のネジを外し、近くに置くか、パネル側の線をコネクターから外し操作ボックスを取り外してください。

Take off main cover (A). Take off screw of main cover (panel side) and put it near the machine or take off connector of panel side and control box.



3. 上側蛇行リミットステーを外してください。さらに子ネジ 2 本(黄色)

Take off belt warping prevention limit switch stay. 2 pan screw. (yellow marks)

4. 断熱板を外してください。さらに子ネジ 2 本、六角ボルト 1 本(黄色)

Take off the adiabatic cover. 2 Pan screw, 1 Hex bolt (yellow marks)

- 5 . クリーナー棒(上)を外してください

Take the cleaner bar(upper) off.

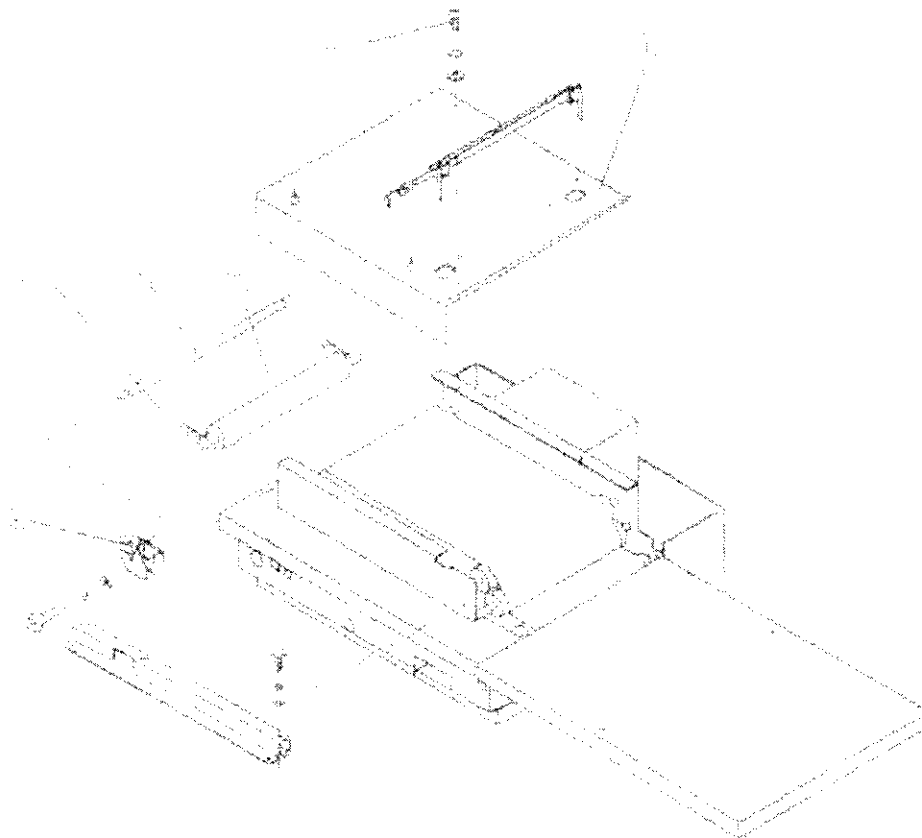
- 6 . テンションスプリング(上)を左右外してください。

Take the tension spring (upper) off of both side.

- 7 . テンションローラー(上)を外してください。

Take the tension roller (upper) off.

- 8 . ハケステアー(上)を外してください。 六角ボルト 2 本(黄色)



- 9 . 上フレームの外側を通し、ベルトを抜いて下さい。

上ベルトを交換する場合、フレームスペーサーを外した方が楽に交換できます。

ただしその場合、前テーブル、作業テーブル、補助フレーム、ベルト保護ステー、

左側補強ステーを外してください。(外し方は下ベルト交換方法参照)

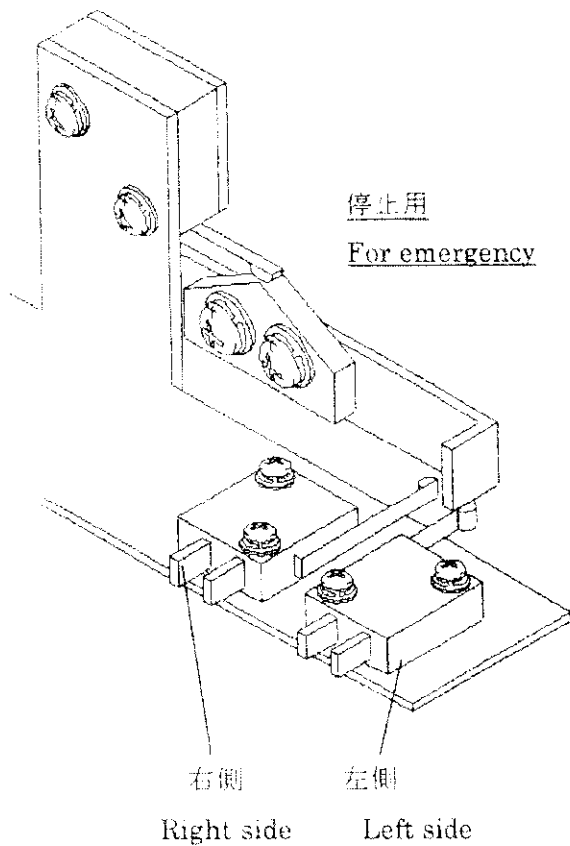
Take off a belt from upper frame.

When change upper belt, it is easier by taking off frame spacer.

In this case, take off front table, working table, sub-table, belt protection stay and Left frame support stay. (Refer how to change lower belt)

10. 組立は分解の逆の手順で行ってください。

Reassemble in the reverse order.



蛇行用
For belt warping prevention

注意

断熱板はしるしに合わせる事。

ベルトがローラーの中心にあるか確認して下さい。

上側蛇行リミットステーは

しるしに合せて取り付けて下さい。

またその時に内側蛇行調整リミットステーは必ず、蛇行調整ステーの先が右側リミットと左側リミットの間にに入れて下さい。

CAUTION

To be set adiabatic plate on marker.

Check whether the belt is set on the middle of the roller or not.

To be set upper belt warping prevention prevention limit stay on marker.

Belt warping prevention limit stay

should be set between right side limit switch and left side limit switch.

下ベルト交換方法

How to change lower belt.